

Hydraball



The Team HydraBall is a hydrostatic bearing, oil supported ball joint with non-contacting surfaces. Using the HydraBall instead of rod ends saves time and improves test results, as no greasing or adjustment is required.

The HydraBall offers a very stiff connection in a smaller package and eliminates pin shear associated with other clevis pin assemblies. The Team HydraBall requires only 0.2 gpm (.75 lpm) of oil at 3000 psi (205 Bar). There are no high-pressure seals to wear out or cause friction to compromise your test results.

Features

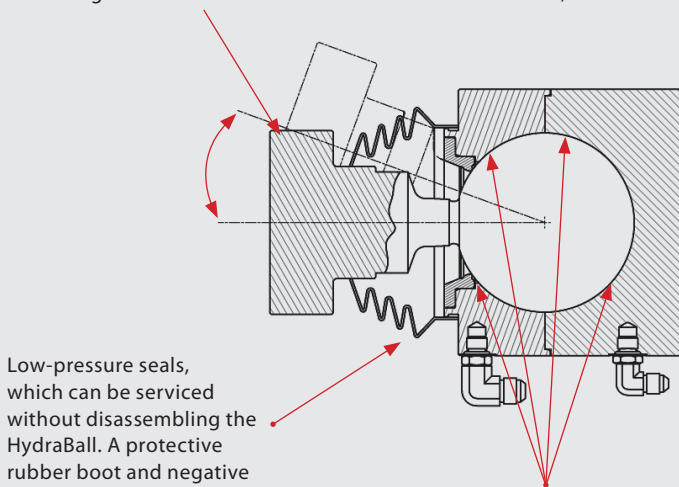
- Direct Load Path
- Eliminates Backlash
- Eliminates Friction
- Easy to Install
- Offers Installation Flexibility
- Low Maintenance, Long Life

Applications

- Multi-axis Test Systems
- Custom Designed Test Rigs
- Replaces Rod End Bearings

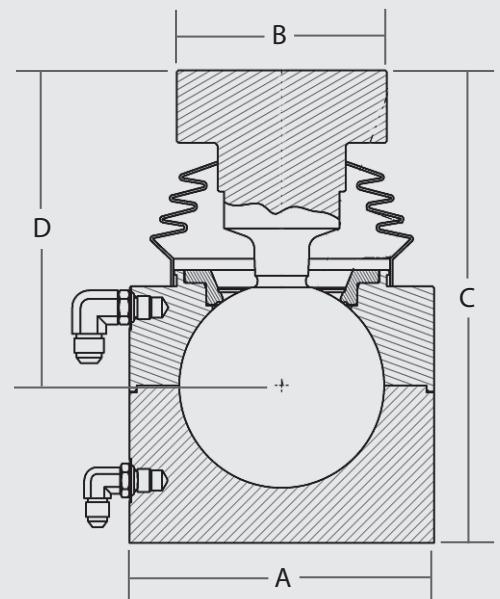
The Team HydraBall provides a zero backlash, zero friction, direct load path coupling, and is a low noise, cost effective and maintenance free replacement to conventional rod ends.

+/- 20 degrees of rotation in all directions. Model HB 40-20, Model HB 60-20



Low-pressure seals, which can be serviced without disassembling the HydraBall. A protective rubber boot and negative drain pressure from your system HCM virtually eliminates oil leaks.

Hydrostatic bearings support the ball in all directions and offer zero backlash transmission of force.



Applications



MANTIS™ with 18 ea. HB40-20 HydraBalls



HydraBalls on both the MANTIS™ actuator and drive link.



EX Series fatigue-rated actuator assembly with HB40-20 HydraBalls.



Link Tube with HB40-20 HydraBalls

Specifications	Model HB30-15	Model HB40-20	Model HB60-20
Dynamic Load Capacity	± 3,500 lbf (± 15.6 kN)	± 16,000 lbf (± 71.2 kN)	± 32,000 lbf (± 142.4 kN)
Static Load Capacity	2,000 lbf (8.9 kN)	6,000 lbf (26.7 kN)	12,000 lbf (53.4 kN)
Angular Movement	± 15 degrees	± 20 degrees	± 20 degrees
Total Weight	10 lbs (4.5 kg)	38 lbs (17.2 kg)	155 lbs (70.3 kg)
Oil Consumption	0.15 gpm @ 3,000 psi (0.57 lpm @ 205 bar)	0.2 gpm @ 3,000 psi (0.76 lpm @ 205 bar)	0.3 gpm @ 3,000 psi (1.14 lpm @ 205 bar)
Dimensions			
A	4.75 in. (120.6 mm)	5.8 in. (147.3 mm)	8.7 in. (220.9 mm)
B	3.0 in. (76.2 mm)	4.0 in. (101.6 mm)	6.0 in. (152.4 mm)
C	7.0 in. (177.8 mm)	9.0 in. (228.6 mm)	13.5 in. (342.9 mm)
D	4.5 in. (114.3 mm)	6.0 in. (152 mm)	9.0 in. (228.6 mm)



 Team Offices

• Authorized Sales Agents

Corporate Headquarters

11591 Watertank Road,
Burlington, WA 98233, USA
+1.360.757.8601
teamcorporation.com

Asia Pacific

Rm 2005 Minhang Plaza
18 Xinqinqiao Road, Pudong
201206 Shanghai, China
+86.21.3382.0671
+1.831655.6677

Team Corporation UK

11 Old Ladies Court
High Street, BATTLE
East Sussex TN33 0AH, UK
+44(0)1424.777004